

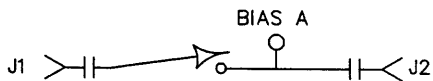
# DESCRIPTION

AMC MODEL SWN-2184-1DT-STANDARD OPTION: 818, HS, B05-10NSEC, B06-27DBM, HPR05W IS AN ABSORPTIVE/NON-REFLECTIVE HIGH SPEED, HIGH POWER SINGLE POLE SINGLE THROW SWITCH DESIGNED TO OPERATE OVER THE FULL 8 TO 18 GHz FREQUENCY RANGE.

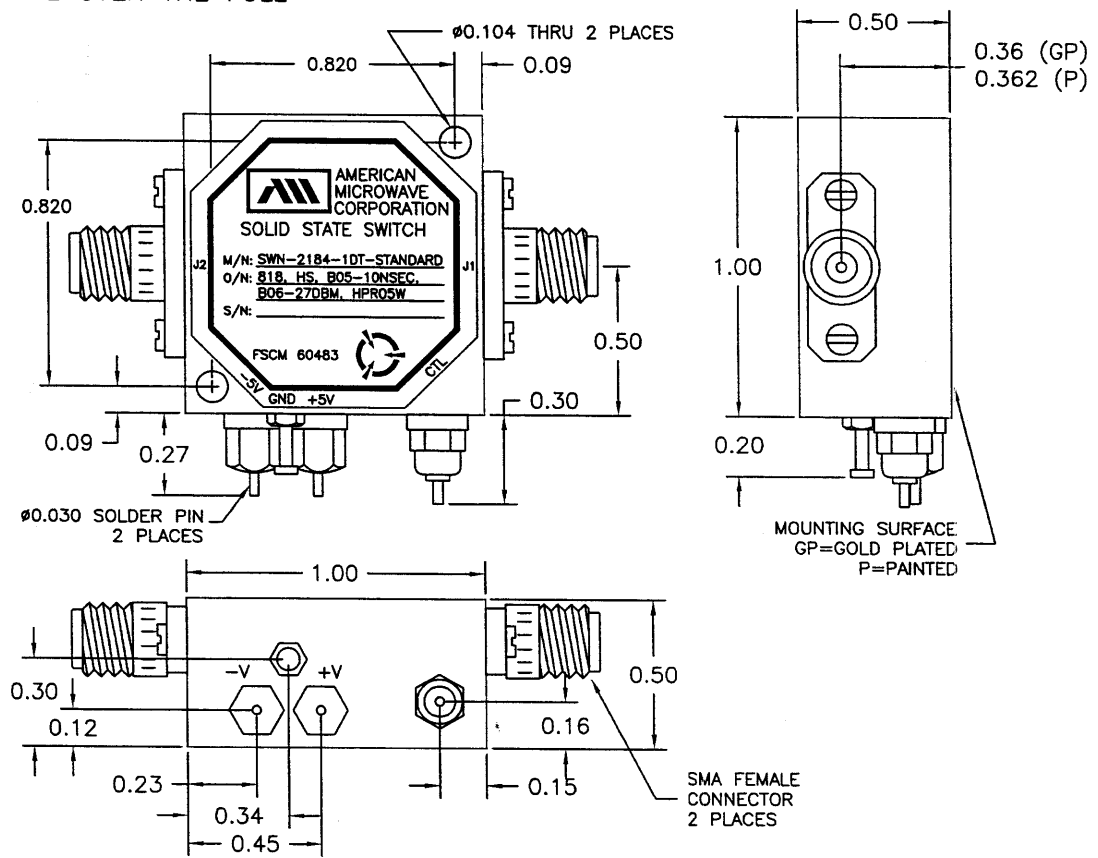
# SPECIFICATIONS

- FREQUENCY RANGE: ..... 8 TO 18 GHz
- INSERTION LOSS: ..... 2.0 dB MAXIMUM
- ISOLATION: ..... 60 dB MINIMUM
- VSWR: ..... 2.0:1
- TURN ON: ..... 10 nSec
- TURN OFF: ..... 10 nSec
- POWER INPUT: ..... (CW)+27 dBm (STANDARD)
- SURVIVAL POWER: ..... 0.5 WATT CW, 10 WATTS PEAK 1 uSec
- CONTROL: ..... TTL LOGIC "0" = ON  
TTL LOGIC "1" = OFF
- POWER SUPPLY: ..... +5V @ 100 mA MAXIMUM  
-5V @ 100 mA MAXIMUM
- CONNECTORS:  
RF: ..... SMA FEMALE  
CONTROL: ..... SOLDER PIN
- SIZE: ..... 1.00" (L) x 1.00" (W) x 0.50" (H)
- WEIGHT: ..... < 1.5 OUNCE

## BLOCK DIAGRAM



ZONE		REV.	DESCRIPTION	DATE	APPROVED
		-	ORIGINAL RELEASE JOB# 409233X	11/29/04	ESC



# ENVIRONMENTAL RATINGS

- TEMPERATURE: ..... -55°C TO +85°C (OPERATING)  
-65°C TO +125°C (STORAGE)
- HUMIDITY: ..... MIL-STD-202F, METHOD 103B COND. B
- SHOCK: ..... MIL-STD-202F, METHOD 213B COND. B
- VIBRATION: ..... MIL-STD-202F, METHOD 204D COND. B
- ALTITUDE: ..... MIL-STD-202F, METHOD 105C COND. B
- TEMPERATURE CYCLE: ..... MIL-STD-202F, METHOD 107D COND. A

NOTE: SPECIFICATIONS WILL VARY OVER OPERATING TEMPERATURE  
NOTE: THE ABOVE SPECIFICATIONS ARE SUBJECT TO CHANGE OR REVISION

ALL DIMENSIONS ARE IN INCHES  
TOLERANCES:  
X.XX ±0.020  
X.XXX ±0.010

## AMERICAN MICROWAVE CORPORATION

7311-G GROVE ROAD  
FREDERICK, MARYLAND 21704 USA  
TEL: 301-662-4700 FAX: 301-662-4938  
WEBSITE: [www.americanmicrowavecorp.com](http://www.americanmicrowavecorp.com)  
E-MAIL: [sales@americanmicrowavecorp.com](mailto:sales@americanmicrowavecorp.com)  
ISO 9001:2000 CERTIFIED

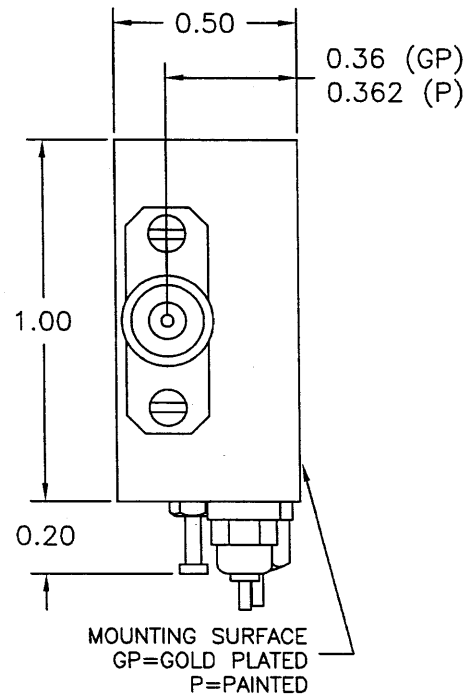
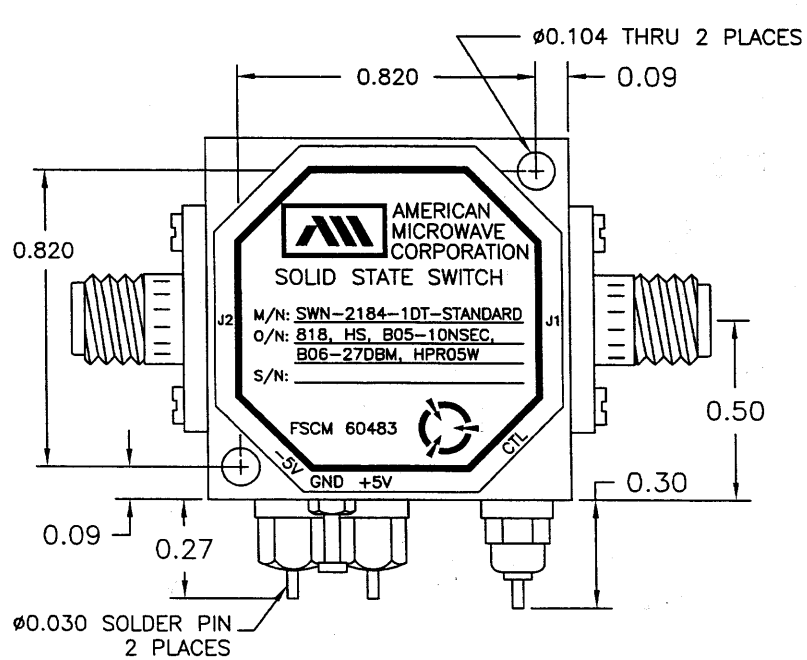


APPROVALS		DATE	TITLE		REV.
DRAWN	JDS	11/29/04	PRODUCT FEATURE SWN-2184-1DT-STANDARD OPTION: 818, HS, B05-10NSEC, B06-27DBM, HPR05W 8-18 GHz, SINGLE POLE SINGLE THROW SWITCH		-
CHECKED	pb	12/16/04	SIZE	FSCM NO.	DWG NO.
ISSUED			A	60483	100-7211
			SCALE	N:S	SHEET 1 OF 3

# DESCRIPTION

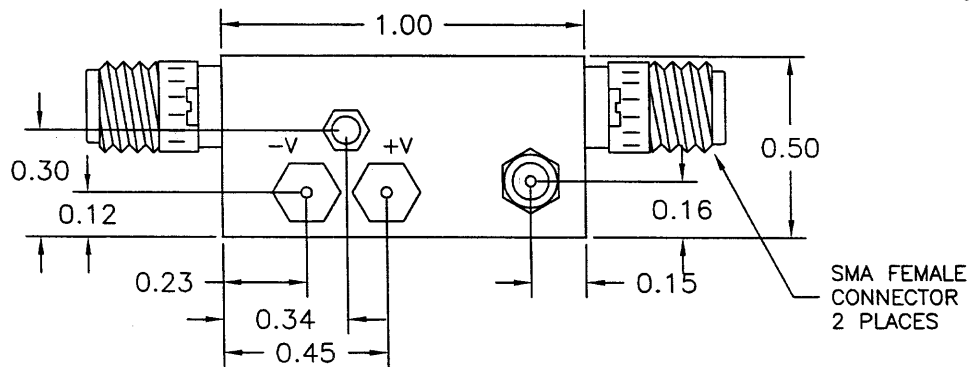
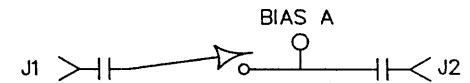
AMC MODEL SWN-2184-1DT-STANDARD OPTION: 818, HS, B05-10NSEC, B06-27DBM, HPR05W IS AN ABSORPTIVE/NON-REFLECTIVE HIGH SPEED, HIGH POWER SINGLE POLE SINGLE THROW SWITCH DESIGNED TO OPERATE OVER THE FULL 8 TO 18 GHz FREQUENCY RANGE.

REVISIONS				
ZONE	REV.	DESCRIPTION	DATE	APPROVED
	-	ORIGINAL RELEASE JOB# 409233X	11/29/04	



## MECHANICAL OUTLINE

## BLOCK DIAGRAM



ALL DIMENSIONS ARE IN INCHES  
TOLERANCES:  
X.XX ±0.020  
X.XXX ±0.010

## AMERICAN MICROWAVE CORPORATION

7311-G GROVE ROAD  
FREDERICK, MARYLAND 21704 USA  
TEL: 301-662-4700 FAX: 301-662-4938  
WEBSITE: [www.americanmicrowavecorp.com](http://www.americanmicrowavecorp.com)  
E-MAIL: [sales@americanmicrowavecorp.com](mailto:sales@americanmicrowavecorp.com)  
ISO 9001:2000 CERTIFIED



APPROVALS		DATE	TITLE		
DRAWN	<i>gds</i>	11/29/04	MECHANICAL OUTLINE SWN-2184-1DT-STANDARD OPTION: 818, HS, B05-10NSEC, B06-27DBM, HPR05W 8-18 GHz, SINGLE POLE SINGLE THROW SWITCH		
CHECKED	<i>pa</i>	2/16/05	SIZE	FSCM NO.	DWG NO.
ISSUED			A	60483	100-7211
			SCALE	N:S	SHEET 2 OF 3